

2.3 cu. ft. Compact 24" Wide Front Load Washer

- 2.3 cu. ft. Capacity
- 24" Wide Compact Front Load Washer
- 14 Cycles / 10 Options
- 1,400 RPM
- Internal Heater
- Direct Drive Motor (10-Year Limited Warranty)
- NFC Tag On



COLOR AVAILABILITY

- WM1388HW – White

CAPACITY & MATCHING DRYERS

Capacity (cu. ft.)	2.3
Matching Electric Dryer	DLEC888W
Matching Gas Dryer	N/A

APPEARANCE

Electronic Controls with LED Display	Yes
Hard Buttons	Yes
Touch Buttons	Yes
Dial-A-Cycle™	Yes

ENERGY & WATER

ENERGY STAR® Qualified	Yes
CEE Qualified	Tier 2
Integrated Modified Energy Factor (IMEF)	2.07
Integrated Water Factor (IWF)	4.2

WASH CYCLES

Number of Cycles	14
Wash Cycles	Cotton / Normal, Bulky / Large, Baby Wear, Perm. Press, Delicates, Hand Wash / Wool, Speed Wash, Tub Clean, Sanitary, Heavy Duty, Drain+Spin, Color Care, Sports Wear, Downloaded Course

WASH OPTIONS

Number of Options	10
Options	Prewash, Rinse+Spin, Delay Wash(Time Delay), Water Plus, Extra Rinse, Child Lock, Signal (Beeper) On / Off, Custom PGM, PGM Save, Signal

WASH DETAILS

Internal Heater	Yes
Number of Wash / Rinse Temps	5
Wash / Rinse Temps	Extra Hot, Hot, Warm, Cold, Tap Cold (All Cold Rinses)
Number of Spin Speeds	5
Spin Speeds	Extra High, High, Medium, Low, No Spin
Max RPM	1,400
Water Levels	Load Sensing
Number of Soil Levels	3
AAFA Certified	No

FABRIC CARE

AI DD™	No
Wash Technology	Standard
Steam Technology	No
Allergiene™ Cycle	No
Sanitary Cycle	Yes
ColdWash™ Option	No
SenseClean™ System	No

CONVENIENCE

TrueBalance™ Anti-Vibration System	Yes
Dispenser Type	4-Tray (Prewash, Main Wash with Liquid Detergent Cup, Bleach, Fabric Softener)
LoDecibel™ Quiet Operation	Yes
End of Cycle Signal	Yes
LoadSense	Yes
Child Lock	Yes
Auto Suds Removal	Yes
4 Adjustable Leveling Legs	Yes
Easy Loading TiLTub™	Yes
ADA Compliant	No

SMART FEATURES

Wi-Fi Enabled	No
ThinQ®	No
SmartDiagnosis™	Yes
NFC Tag On Technology	Yes

MOTOR AND AGITATOR

Motor Type	Inverter Direct Drive Motor
Axis	Horizontal

MATERIALS AND FINISHES

NeveRust™ Stainless Steel Drum	Yes
Door / Rim	Glass / Chrome
Door Cover	Black Tinted Round Cover

TECHNICAL SPECS

Electrical Requirements	120V, 60 Hz, 10 Amps
Type	Electric
Power Outlet Location	Within 60" of Either Side
Plug Type	3-Prong (Cord Attached to Unit)
Min. / Max. Water Pressure	20 - 120 psi

INCLUDED ACCESSORIES

Drain Hose, Hot / Cold Water Hoses, Non-skid Pads, Caps for covering shipping bolt holes, Wrench, Tie Strap, Elbow Bracket for Drain Hose.

OPTIONAL ACCESSORIES

Pedestal	N/A
LG Sidekick™ Pedestal Washer	N/A
Stacking Kit	Included with Matching Dryer

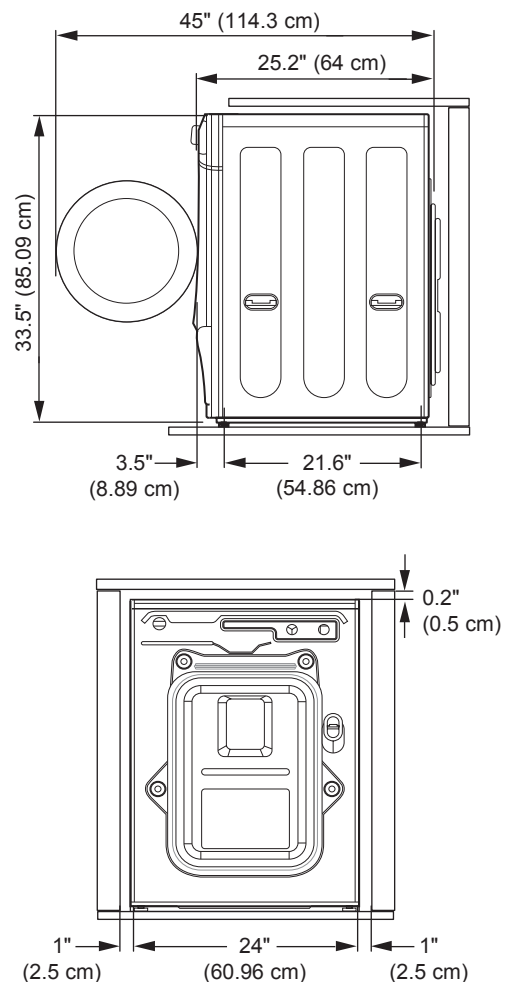
DIMENSIONS

Product (W x H x D)	24" x 33 1/2" x 25 1/4"
Depth with Door Open	45"
Cutout Dimensions (W x H x D)	26" x 33 3/4" x 29 1/4"
Carton Dimensions (W x H x D)	26" x 35 3/4" x 27 3/4"
Approx. Weight (Product / Carton)	147.7 lbs. / 156.5 lbs.

LIMITED WARRANTY

Parts and Labor	1 Year
Direct Drive Motor	10 Years (Parts Only)
Drum	Lifetime (Parts Only)

DIMENSIONS / CLEARANCES



INSTALLATION NOTES

- To ensure sufficient clearance for water lines, the drain line and airflow, allow minimum clearances of at least 1 inch (2.5 cm) at the sides. Be sure to allow for wall, door, or floor moldings that may increase the required clearances.
- Install the washing machine on a solid floor that is strong and rigid enough to support the weight of the washing machine, even when fully loaded, without flexing or bouncing. If the floor has too much flex, you may need to reinforce it to make it more rigid. If the floor is not solid, it may cause severe vibration and noise.